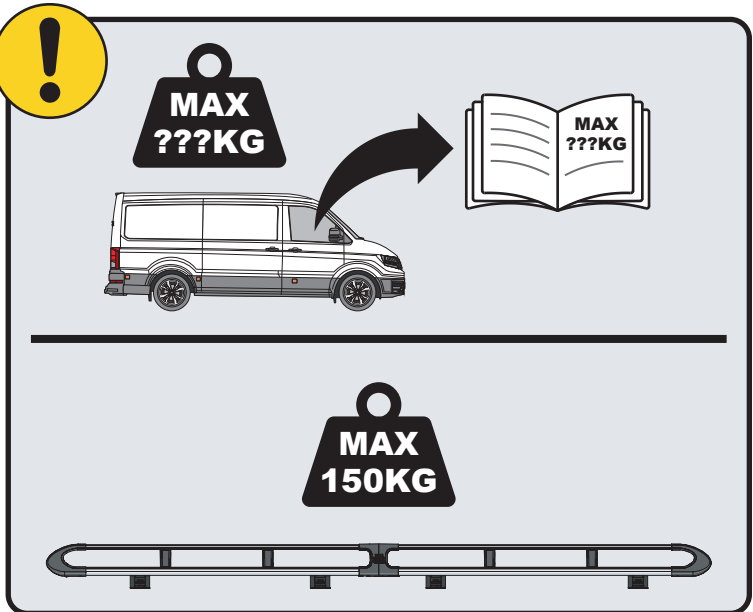
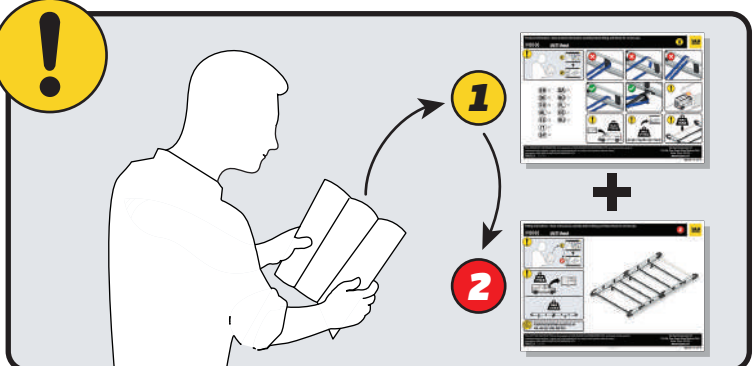


# IN8358

## ULTI Rack+



 [Customercare@van-guard.co.uk](mailto:Customercare@van-guard.co.uk)  
UK +44 (0) 1392 368 351

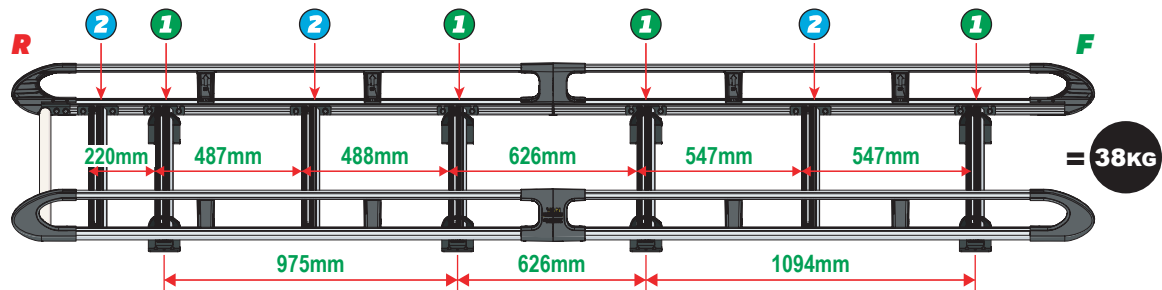
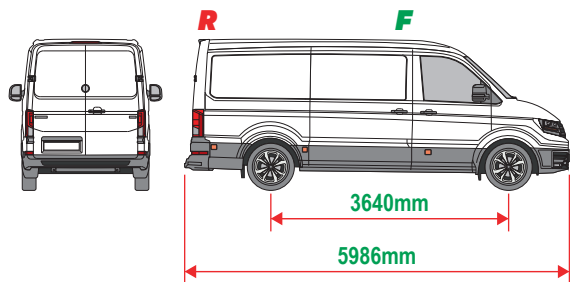


This FITTING INSTRUCTION is the property of VAN GUARD ACCESSORIES LTD. and must not be used for manufacturing purposes, copied nor communicated in any way to third parties without written permission from VAN GUARD ACCESSORIES LTD.  
IN8358\_A (CN:NR)

Van Guard Accessories Ltd  
Fair Oak Close, Exeter Airport Business Park,  
Exeter, Devon, EX5 2UL  
[www.van-guard.co.uk](http://www.van-guard.co.uk)

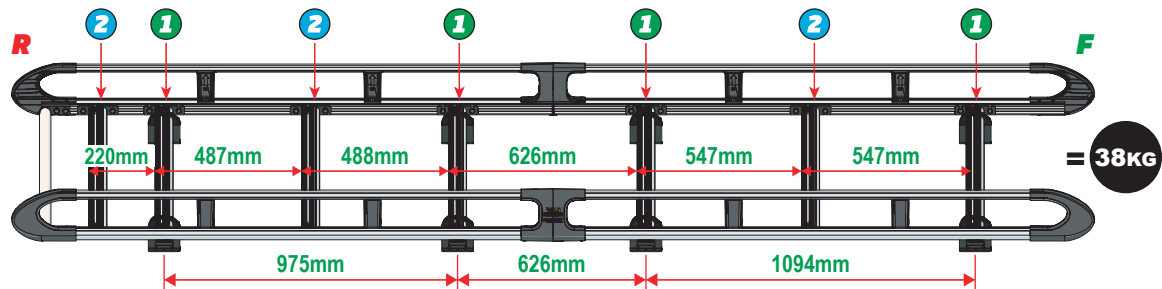
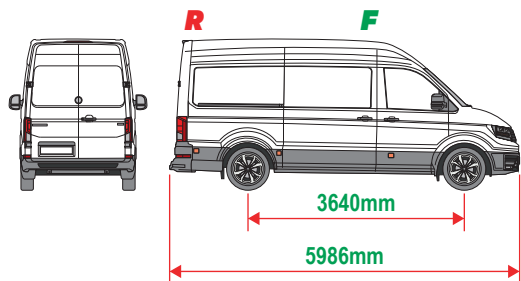
### VGUR-279

MAN TGE: 2017 on  
Volkswagen Crafter: 2017 on  
L3H2  
Twin Rear Doors



### VGUR-280

MAN TGE: 2017 on  
Volkswagen Crafter: 2017 on  
L3H3  
Twin Rear Doors



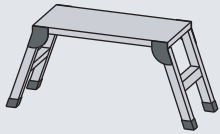
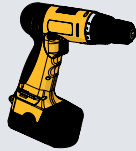
**SUPPLIED COMPONENTS - CHECK ALL PARTS ARE PRESENT AND CORRECT BEFORE PROCEEDING (1 OF 2)**

**TOOLS REQUIRED**

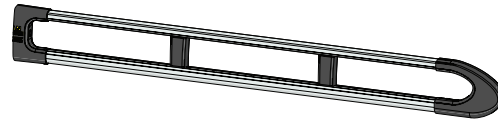
**10MM X1**



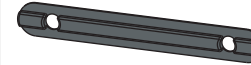
**13MM X1**



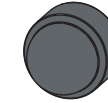
**AS3545 X2**  
(3400 / A)



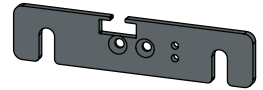
**MA6118 X14**



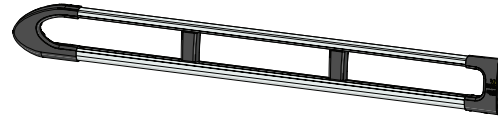
**FX4241 X32**



**ME1622 X3**



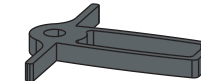
**AS3544 X2**  
(3400 / B)



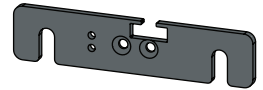
**FX4008 X1**



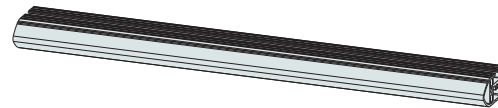
**MA6145 X1**



**ME1623 X3**



**ME1628 X7**  
(1554mm)



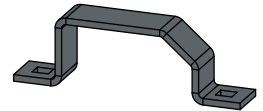
**FX4001 X2**  
(M8X40)



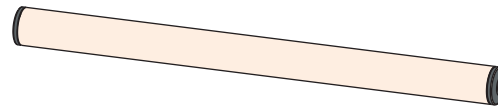
**FX4235 X28**  
(M5X25)



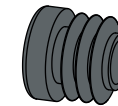
**ME0203 X8**



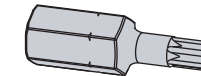
**AS3160 X1**  
(1540mm)



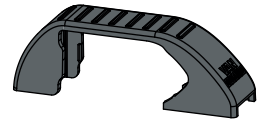
**MA6007 X4**



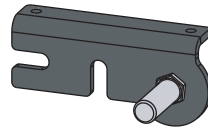
**FX4248 X1**  
(T25)



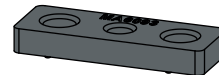
**MA6065 X8**



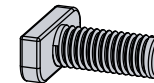
**AS3590 X1**



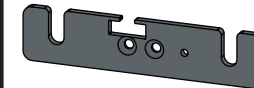
**MA6093 X14**



**FX4239 X32**  
(M8X20)



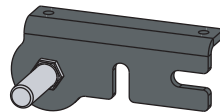
**ME1620 X4**



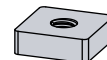
**FX4016 X24**  
(M6)



**AS3591 X1**



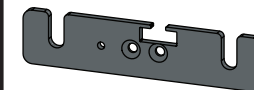
**ME0316 X14**



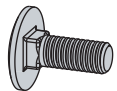
**FX4240 X32**  
(M8)



**ME1621 X4**

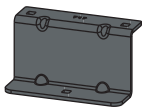


**FX4042 X16**  
(M6X16)

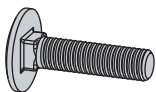


SUPPLIED COMPONENTS - CHECK ALL PARTS ARE PRESENT AND CORRECT BEFORE PROCEEDING (2 OF 2)

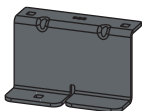
ME0717 X4



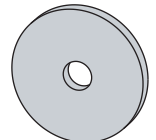
FX4022 X8  
(M6X25)



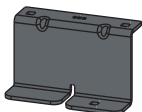
ME0922 X1



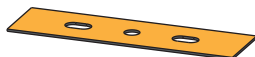
FX4023 X8



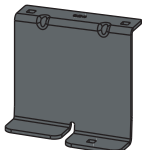
ME0923 X1



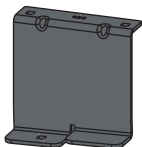
MA6091 X8



ME0924 X1



ME0925 X1

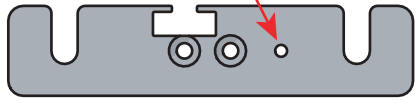


FX4014 X8



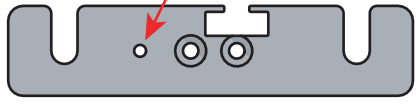
01

1L



X4

1R



X4

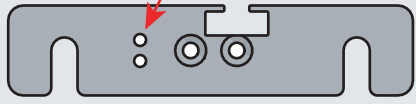


2L



X3

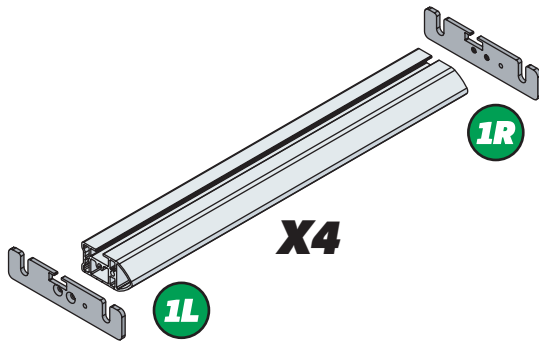
2R



X3

02

1R

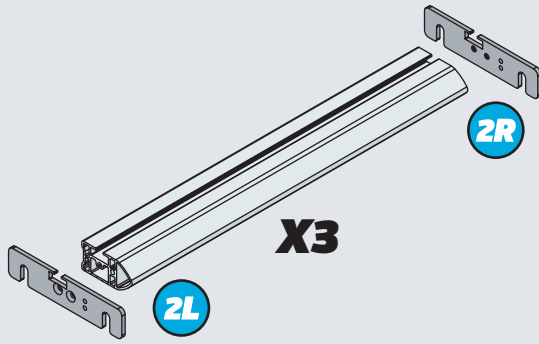


X4

1L



2R



X3

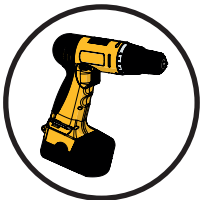
2L



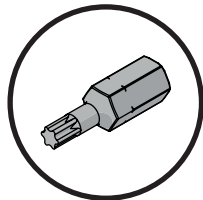
03

01

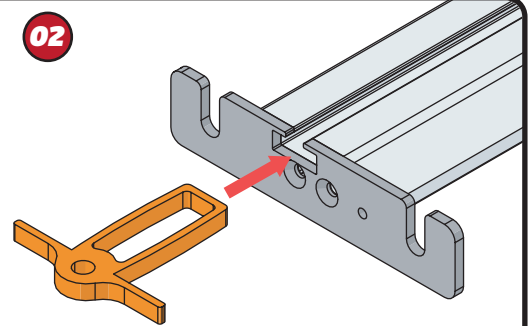
FX4248



+



02



04

1

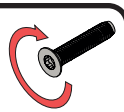
X4



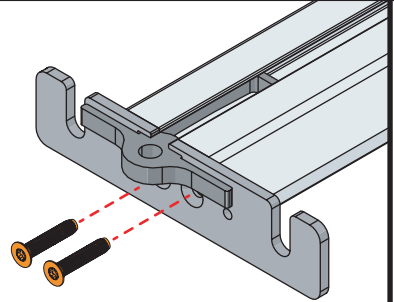
2

X3

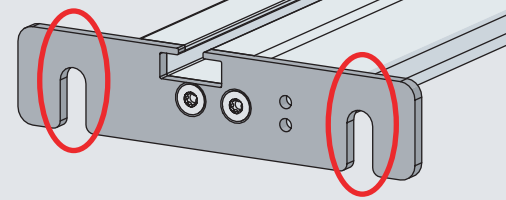
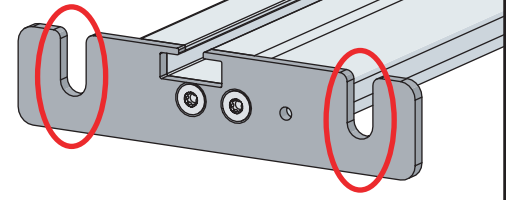
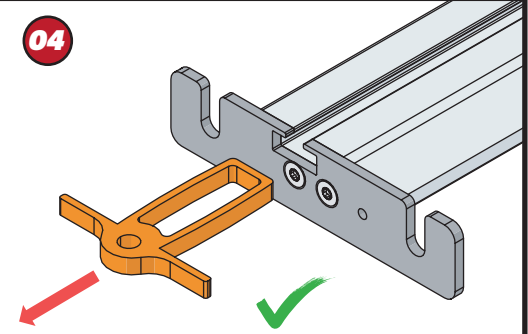
03



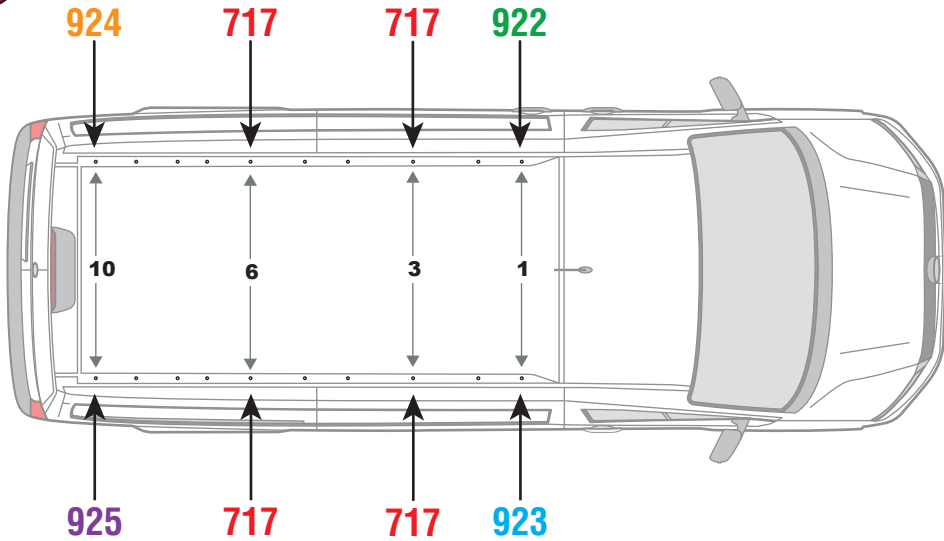
11Nm



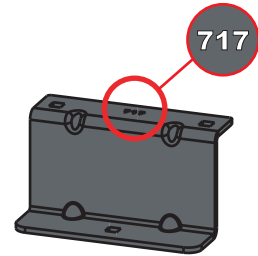
04



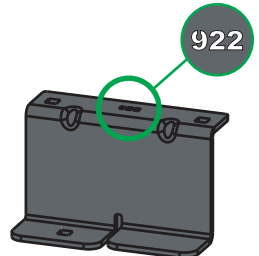
05



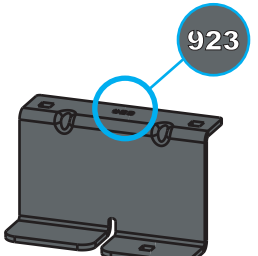
717



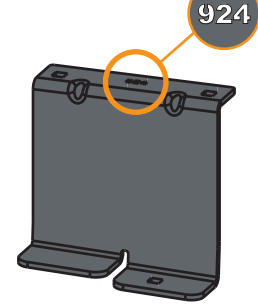
922



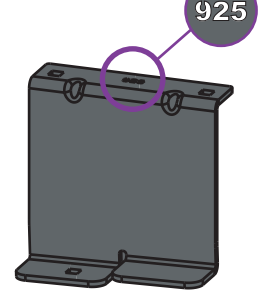
923



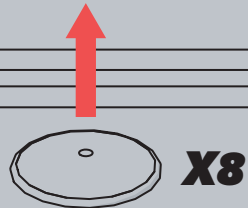
924



925



06



10

9

8

7

6

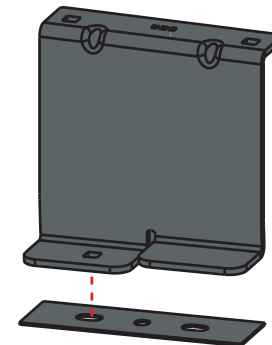
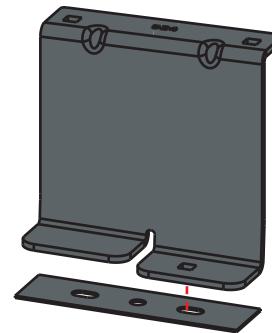
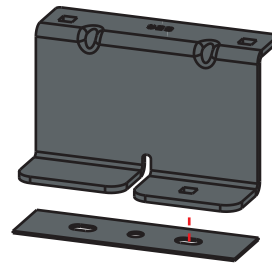
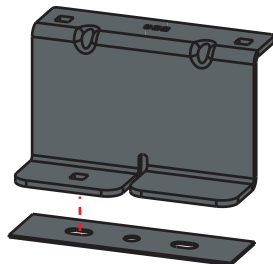
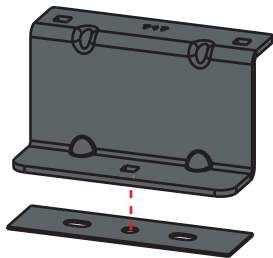
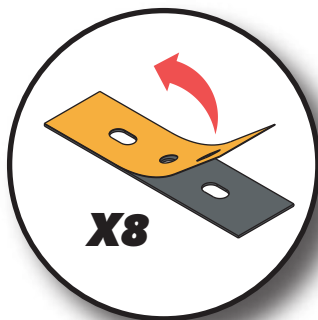
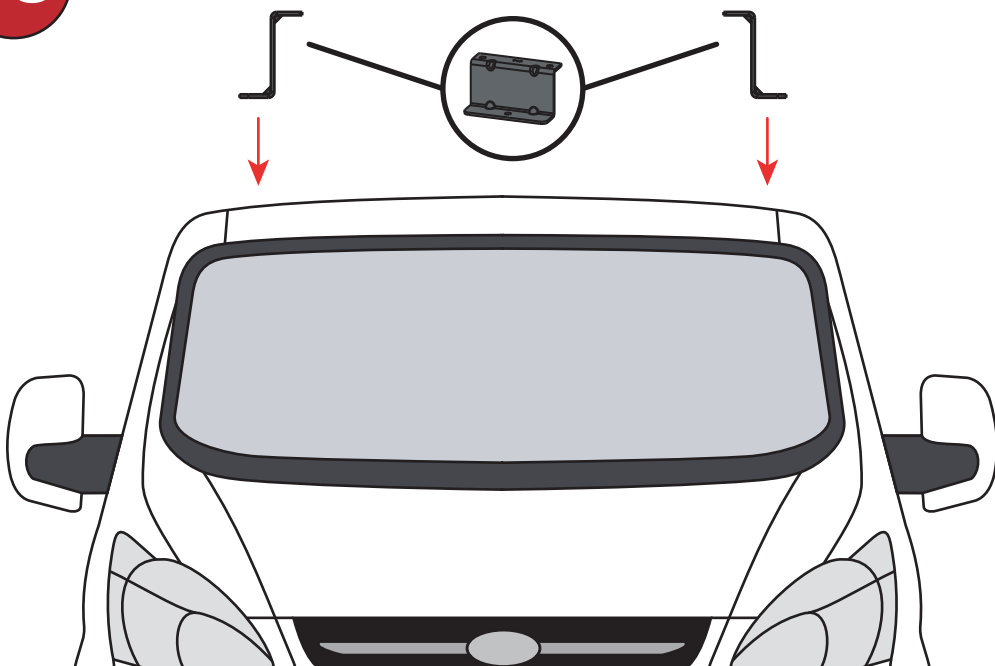
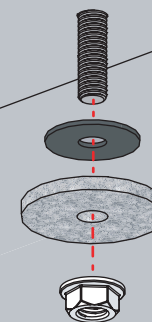
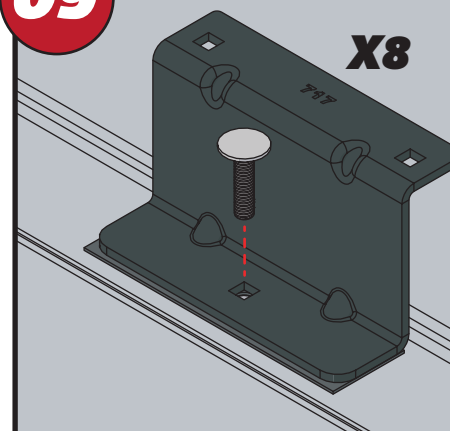
5

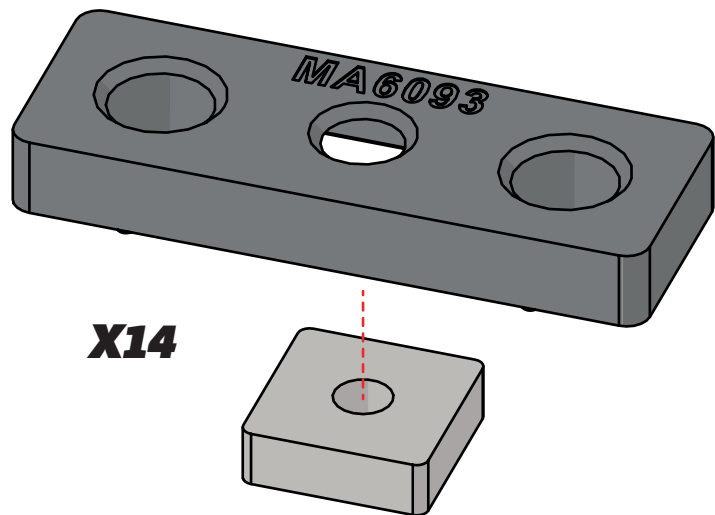
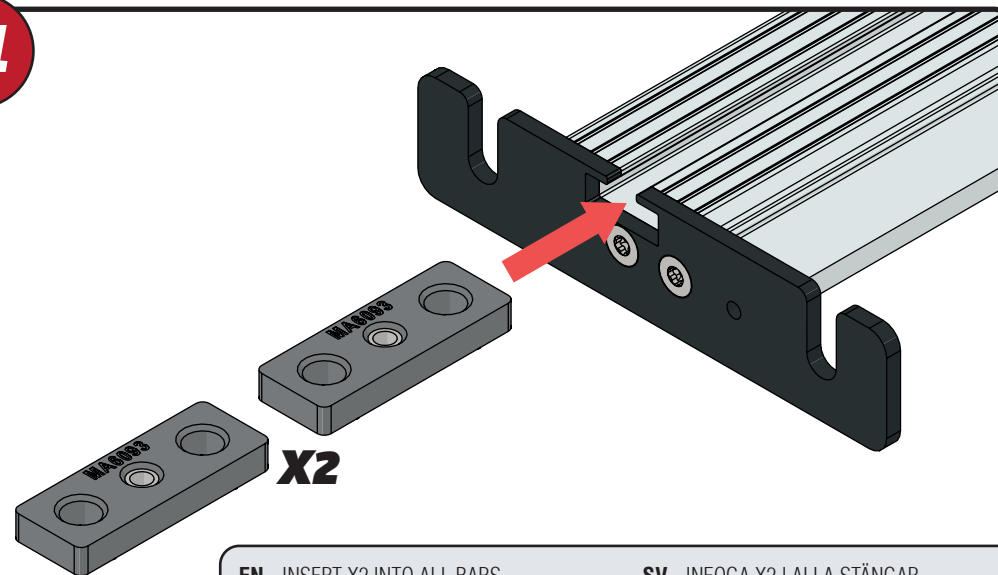
4

3

2

1

**07****EN** - STICK GASKETS TO ALL BRACKETS**DE** - KLEBEN SIE DIE DICHTUNG AN ALLEN HALTERUNGEN**FR** - COUSSINETS ADHÉSIFS À TOUS LES SUPPORTS**NL** - PLAK PAKKING OP ALLE BEUGELS**ES** - PEGA LAS ALMOHADILLAS A TODOS LOS SOPORTES**IT** - ADESIVI GUARNIZIONI A TUTTE LE STAFFE**SV** - FÄST GUMMI PÅ ALLA FÄSTEN**DA** - KLÆB GUMMI PÅ ALLE BESLAG**NO** - PLIST GUMMI PÅ ALLE BRACKETTER**PL** - NAKLEJ USZCZELKI DO WSZYSTKICH WSPORNIKÓW**CS** - PŘILEPTE TĚSNĚNÍ NA VŠECHNY DRŽÁKY**08****09**

**10****11**

EN - INSERT X2 INTO ALL BARS

DE - X2 IN ALLE STANGEN EINFÜGEN

FR - INSÉRER X2 DANS TOUTES LES BARRES

NL - PLAATS X2 IN ALLE BARS

ES - INSERTAR X2 EN TODAS LAS BARRAS

IT - INSERIRE X2 IN TUTTE LE BARRE

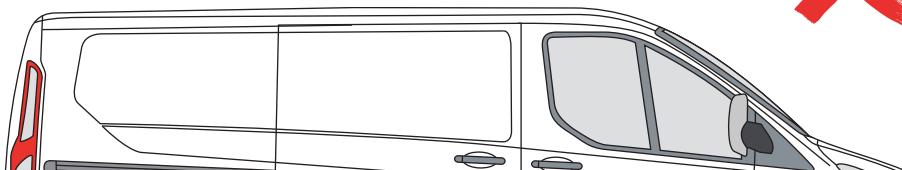
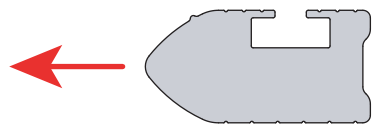
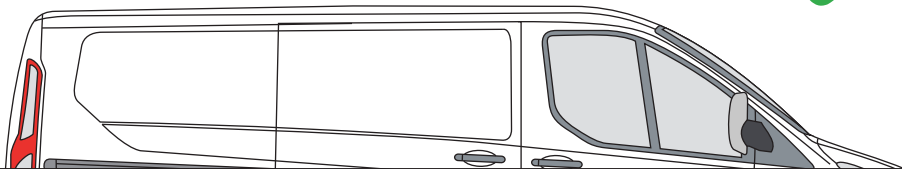
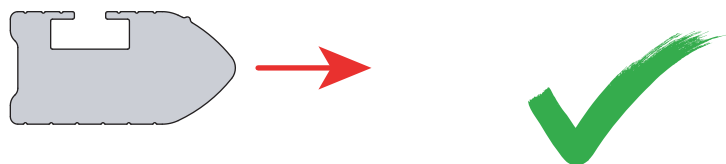
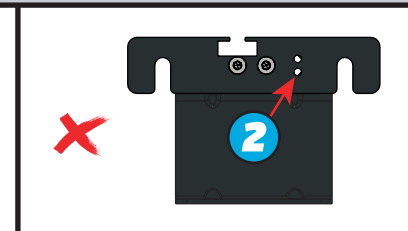
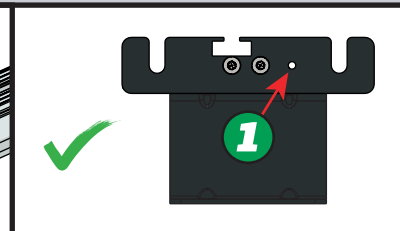
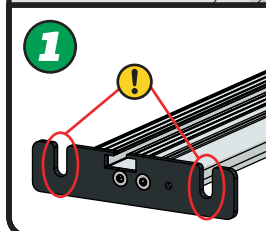
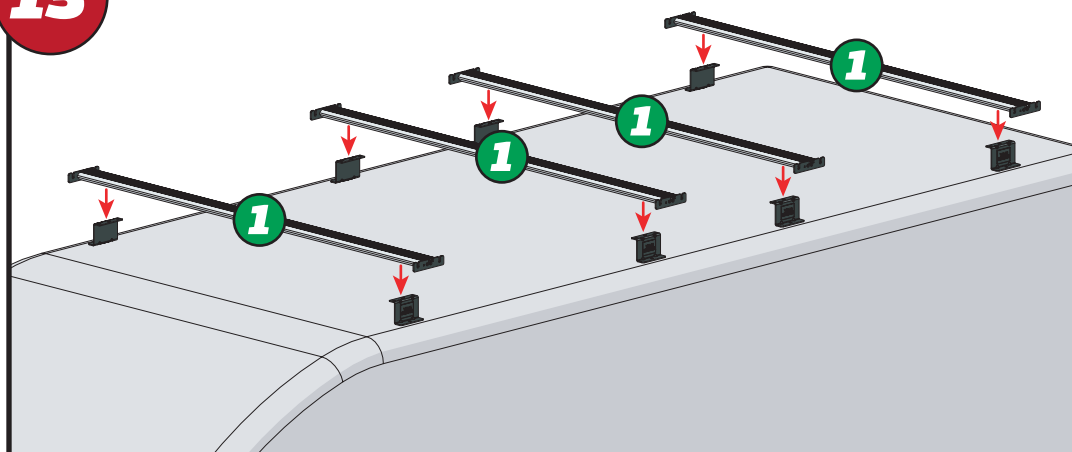
SV - INFOGA X2 I ALLA STÄNGAR

DA - INDSÆT X2 I ALLE STÆNGER

NO - SETT X2 INN I ALLE TAKSTENGER

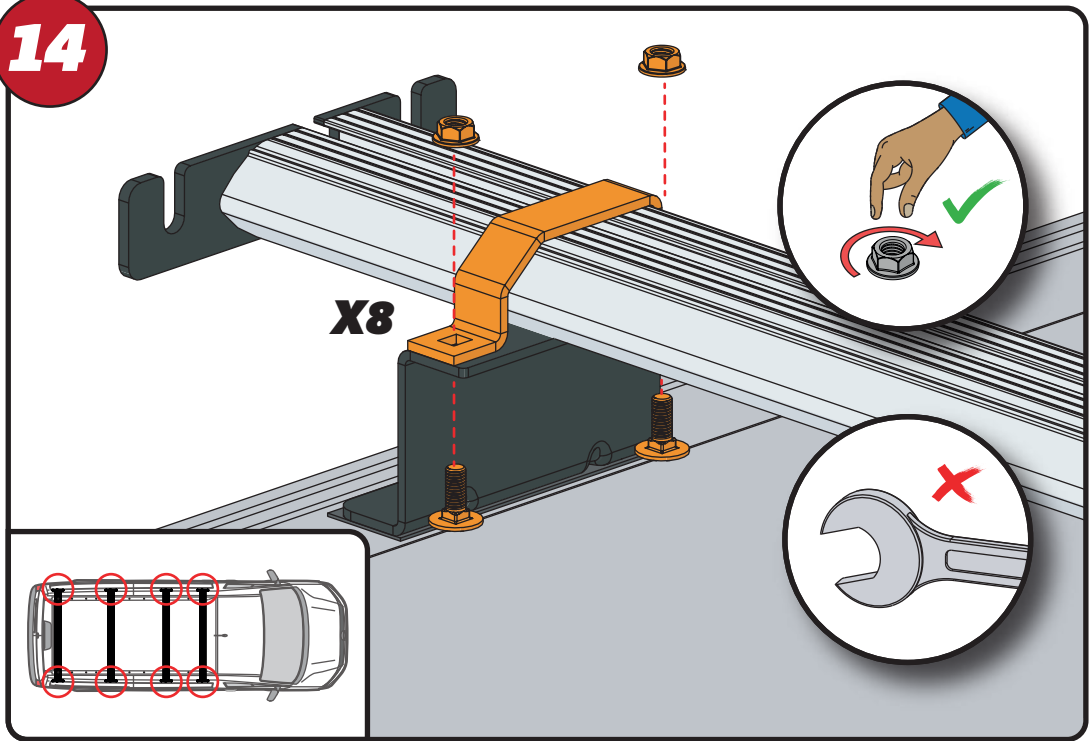
PL - WSTAW X2 DO WSZYSTKICH PRĘTÓW

CS - VLOŽTE X2 DO VŠECH TYČÍ

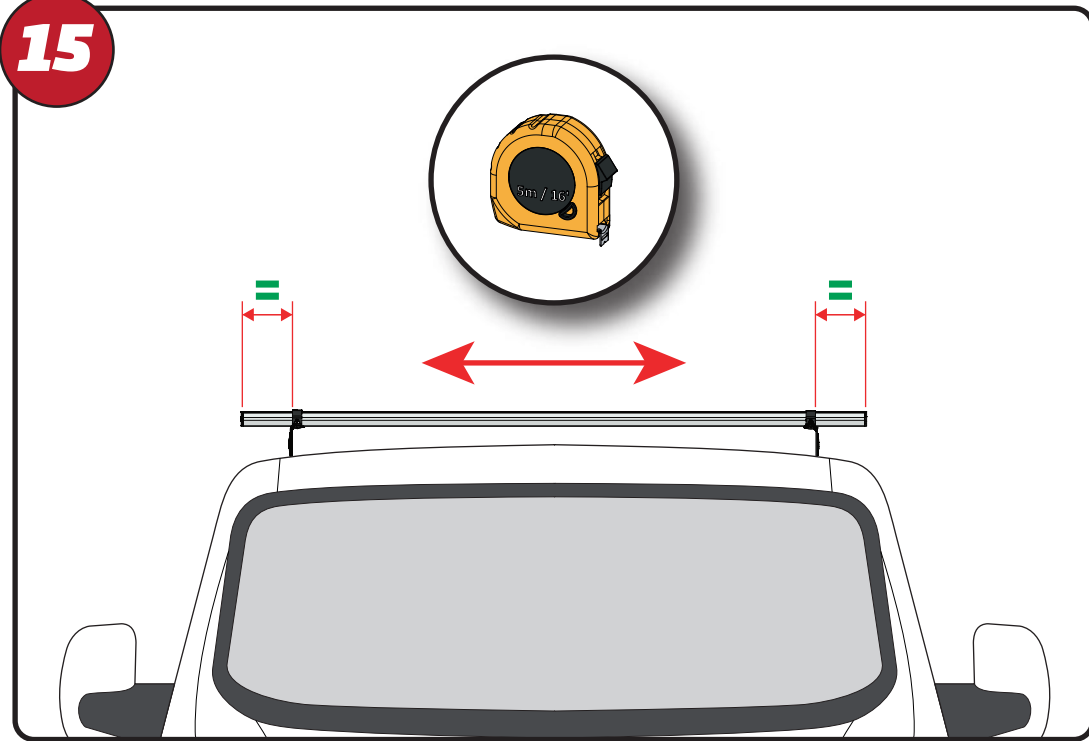
**12****13**



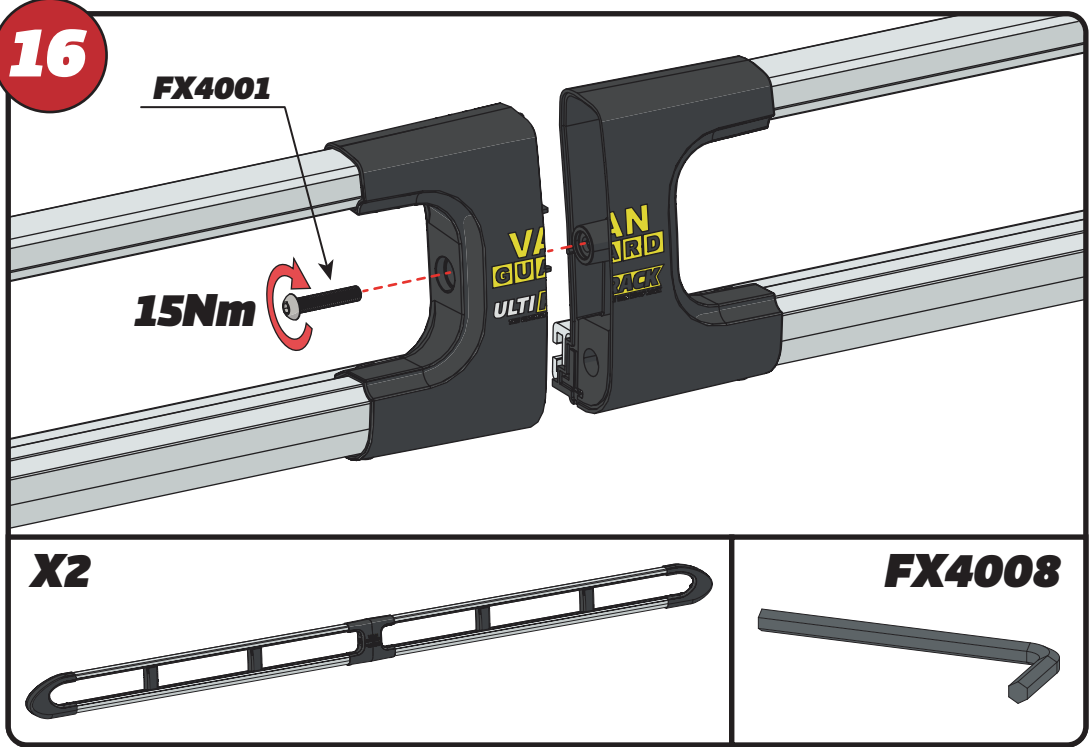
14



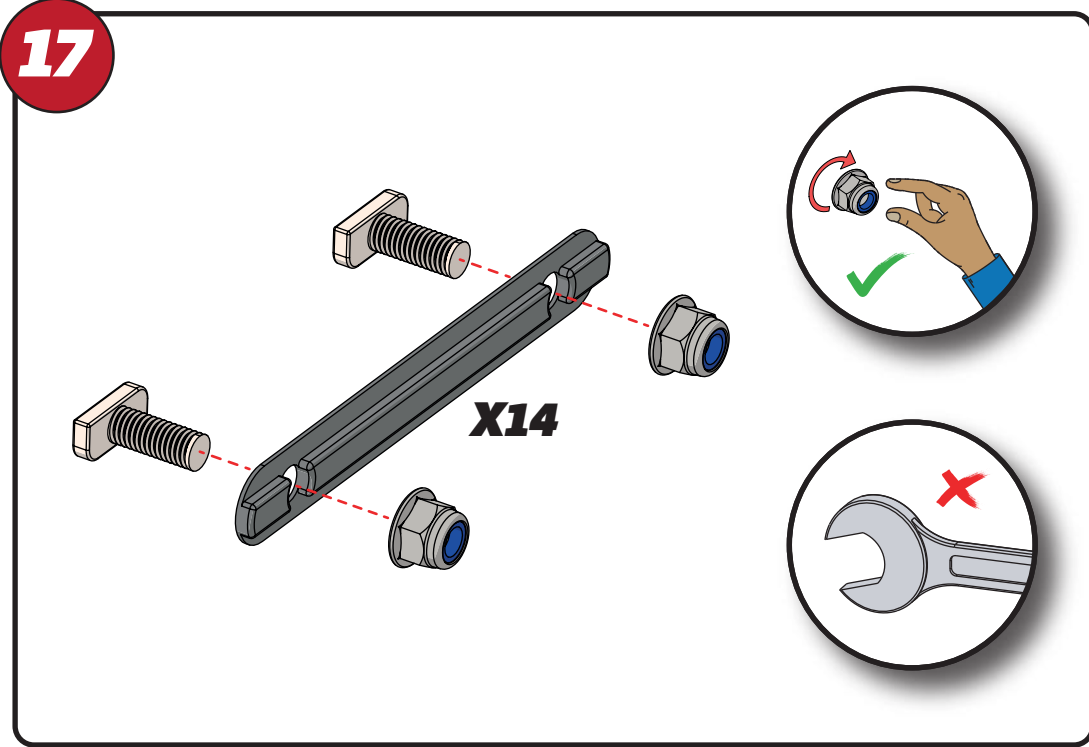
15



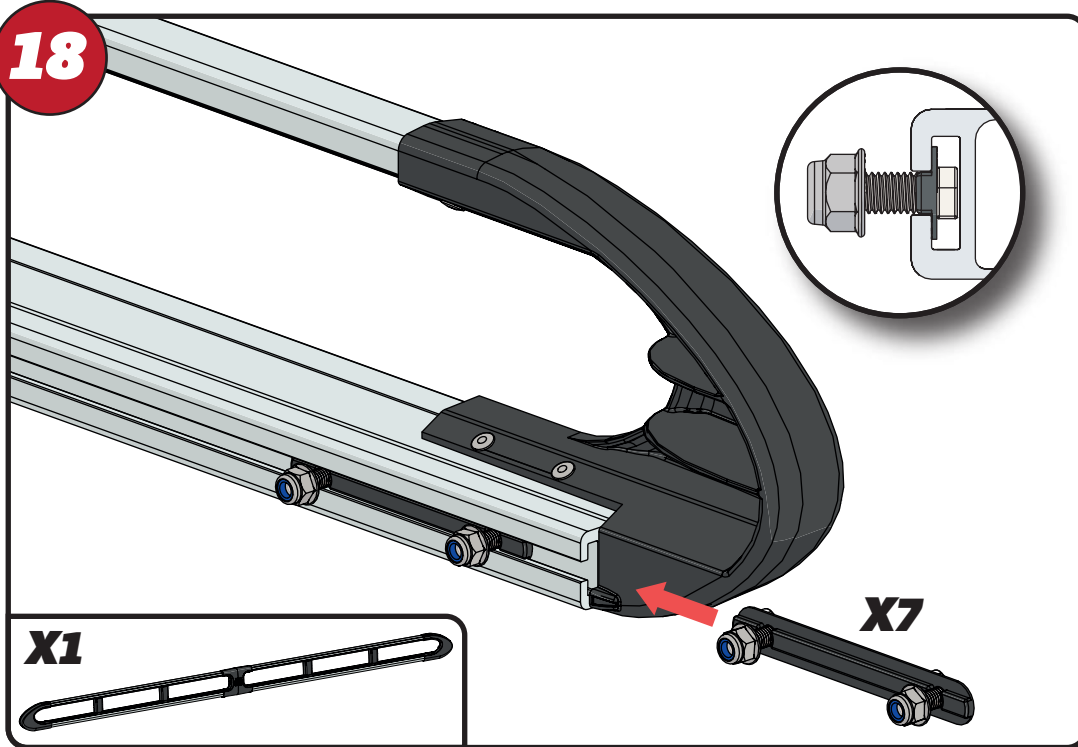
16



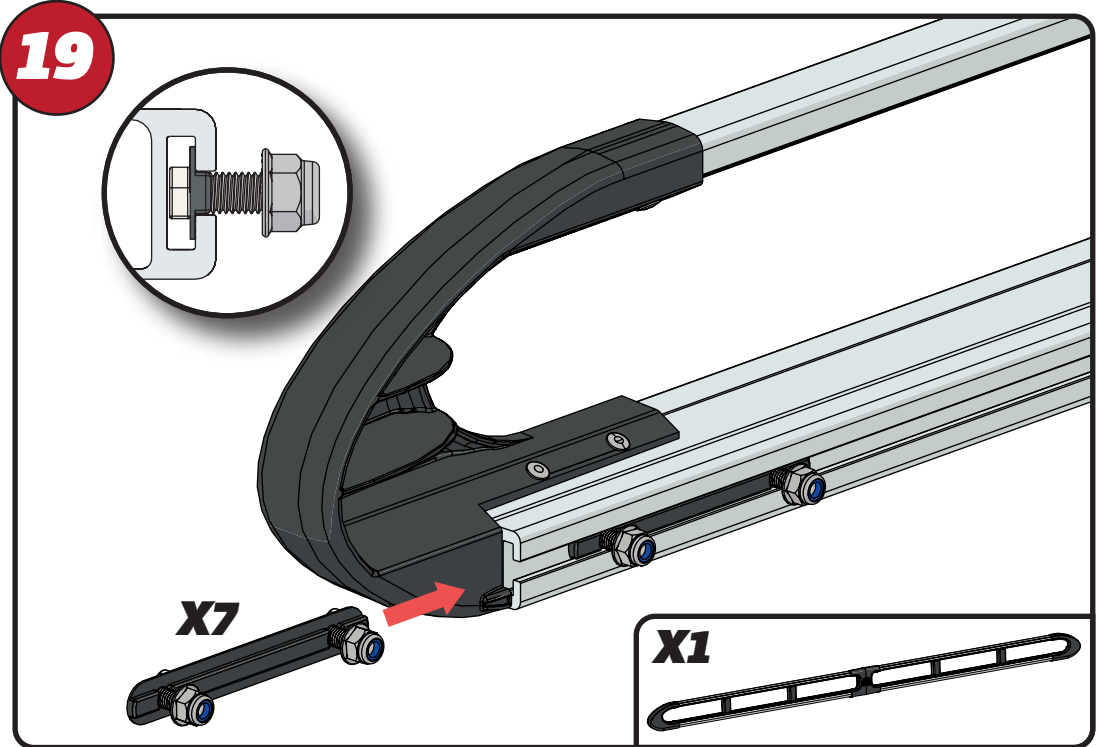
17



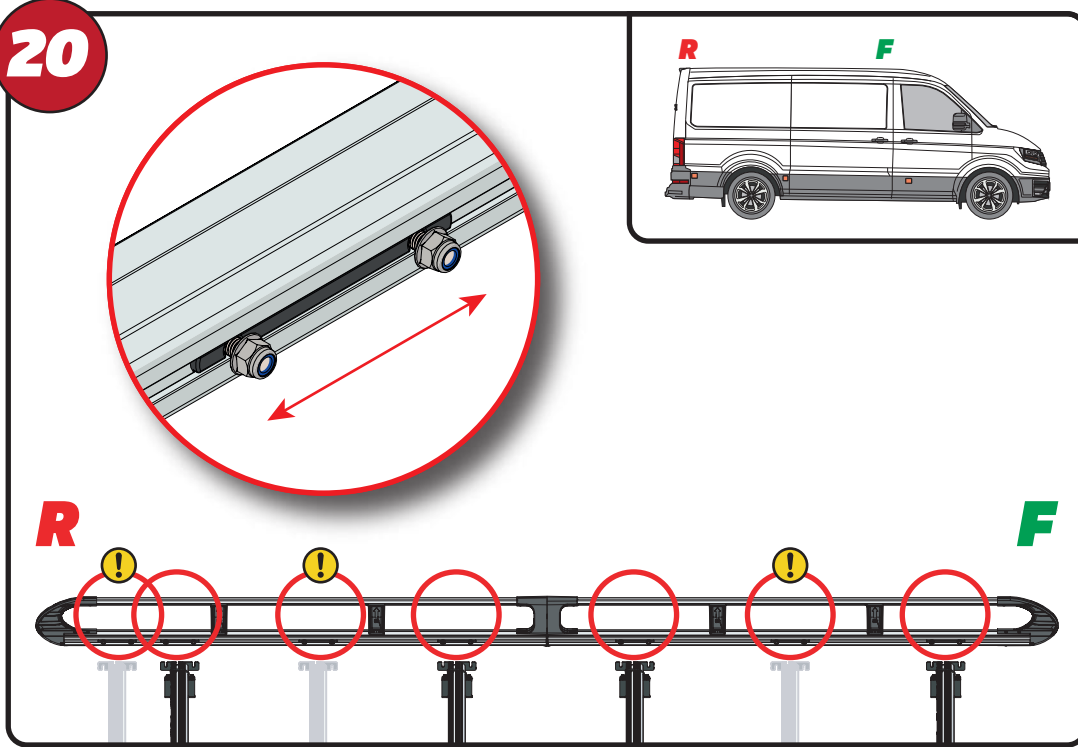
18



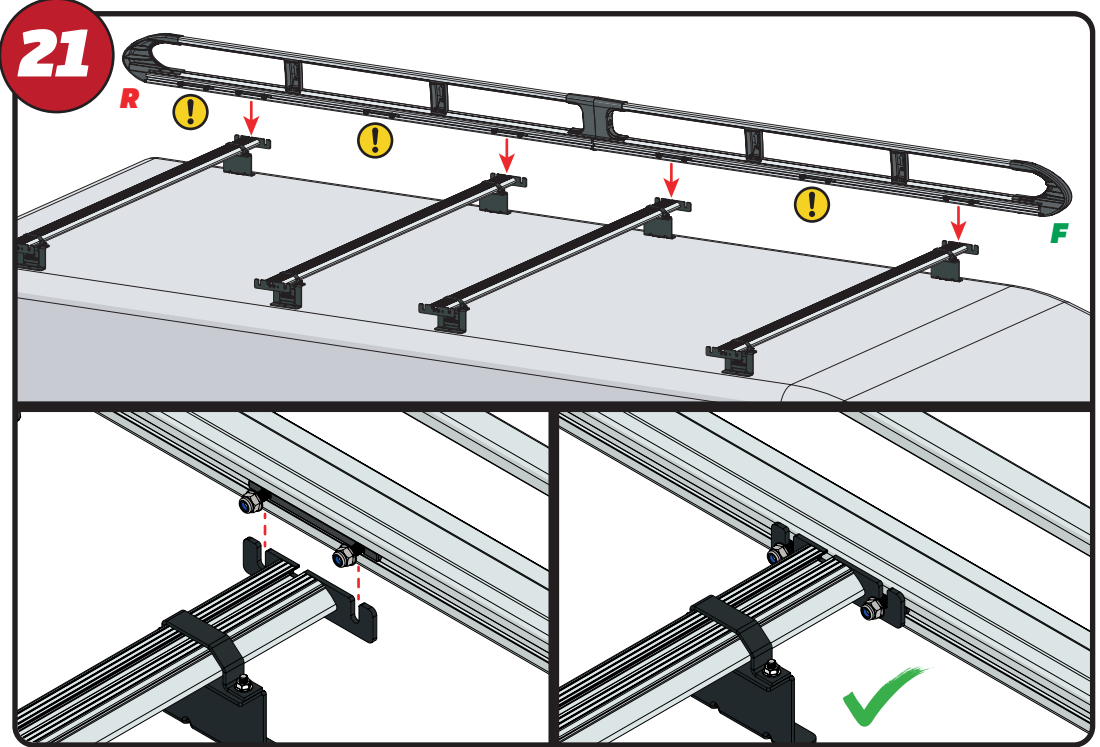
19



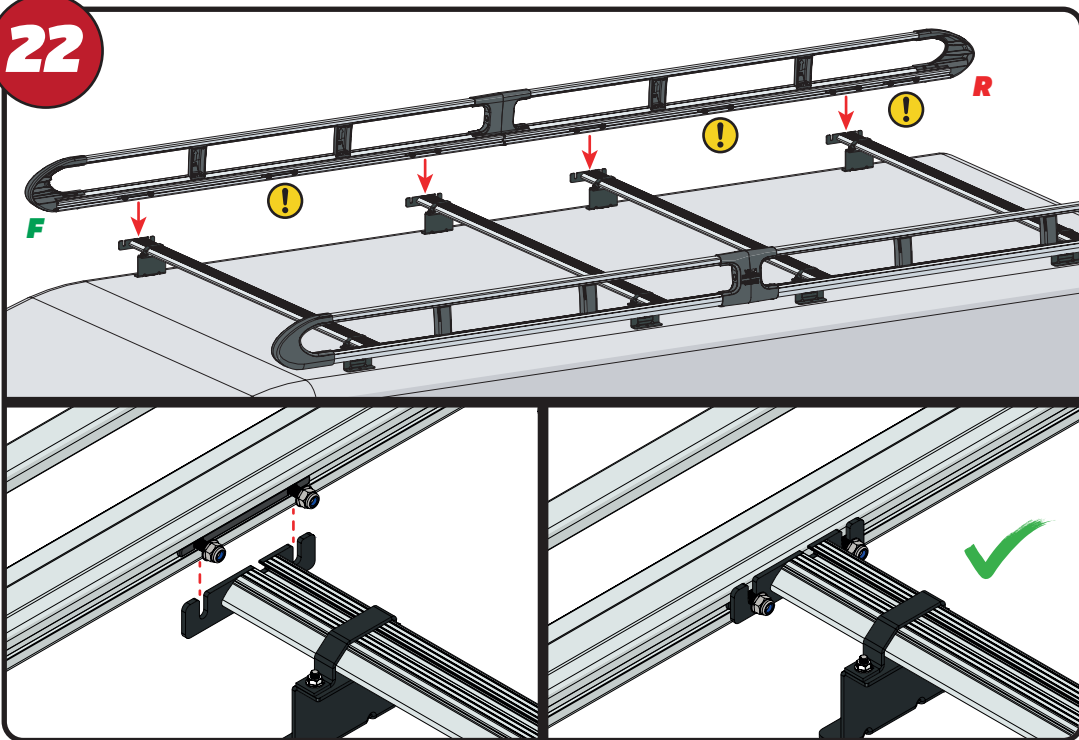
20



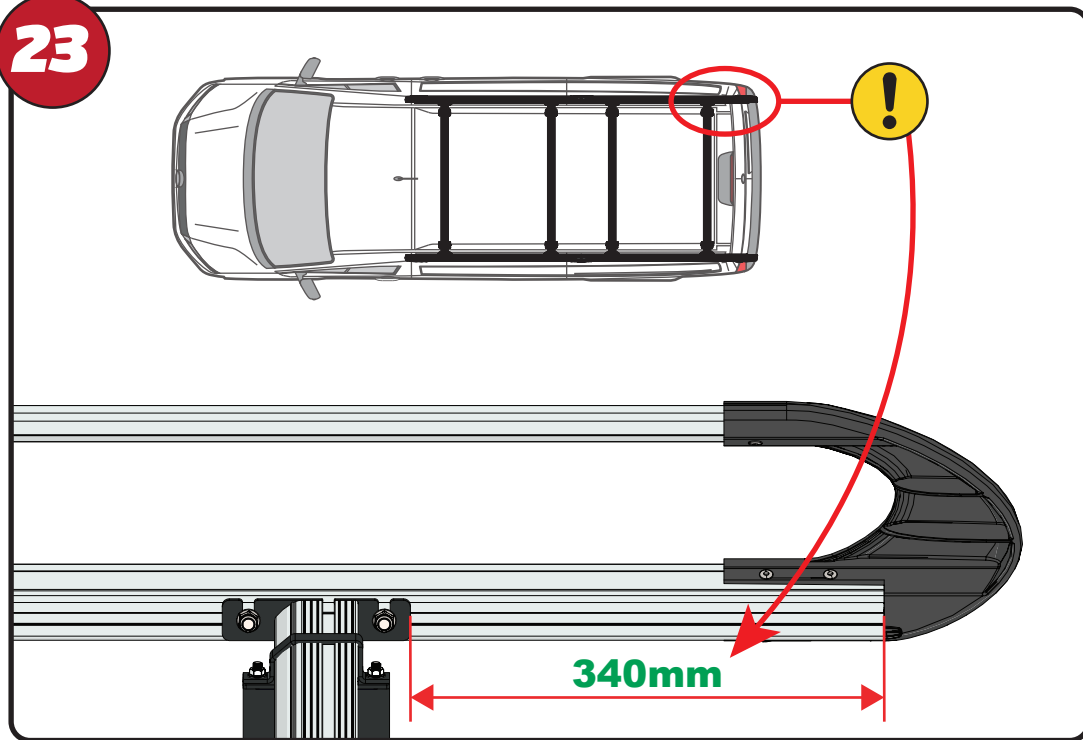
21



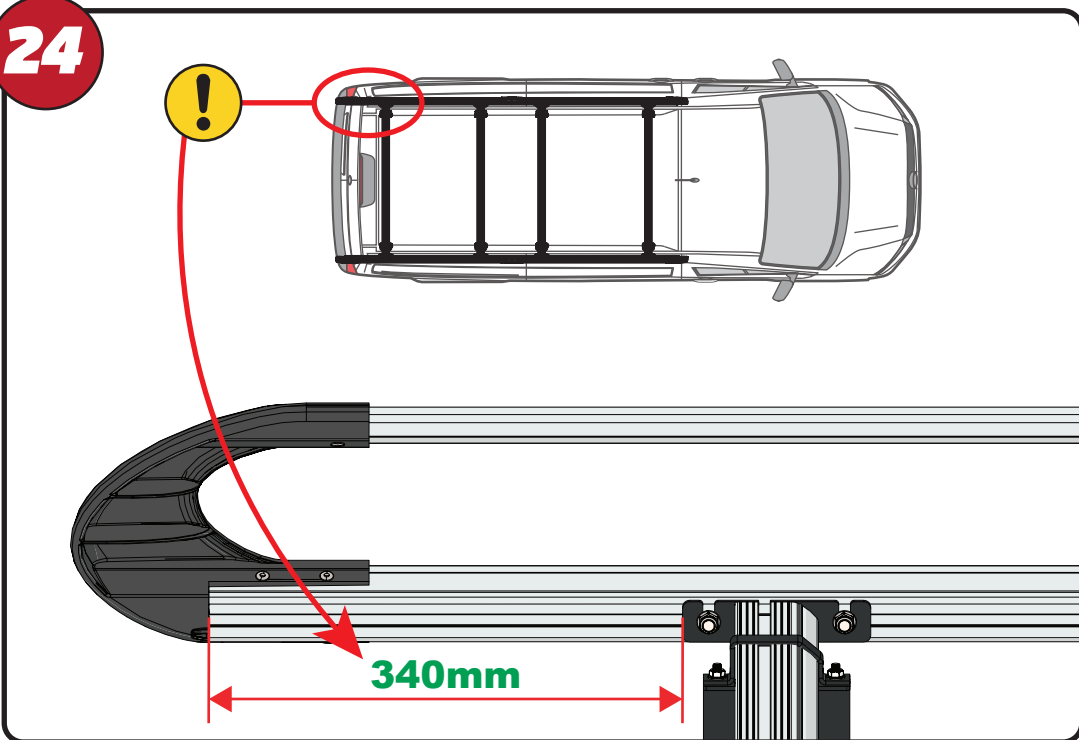
22



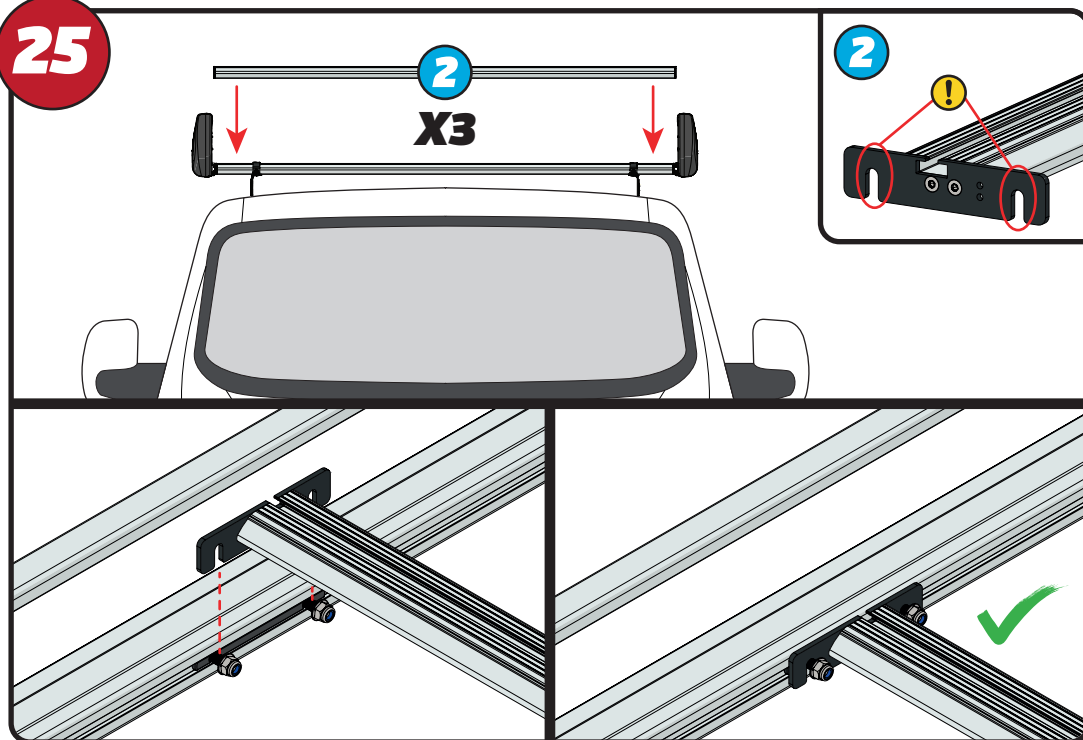
23



24

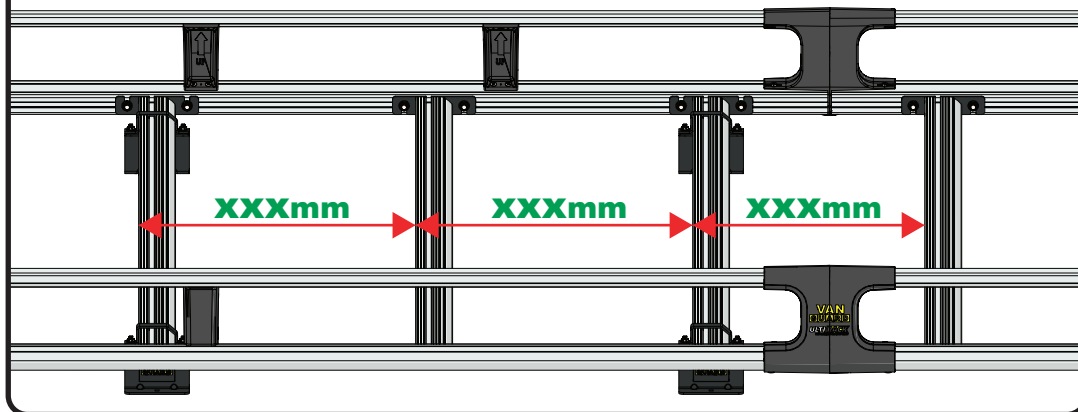
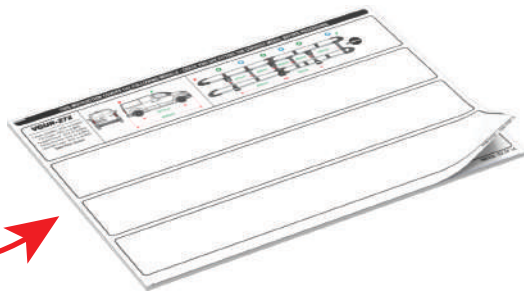
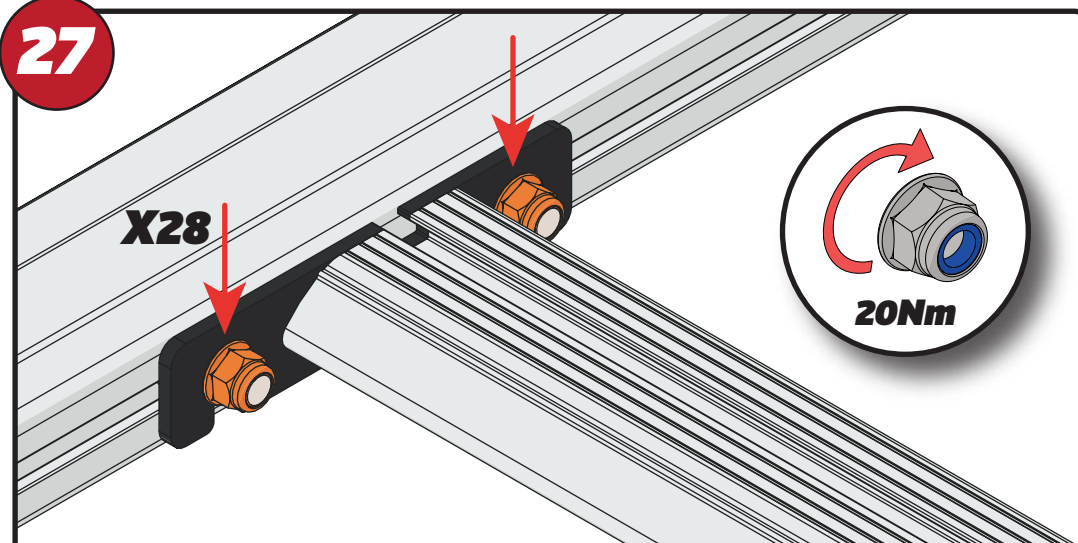


25



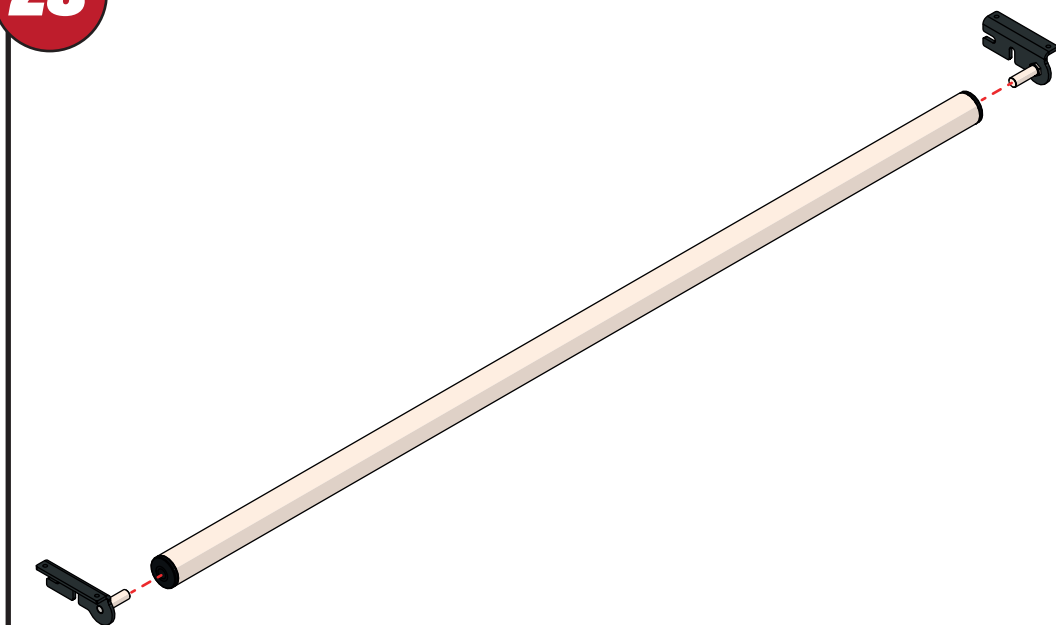
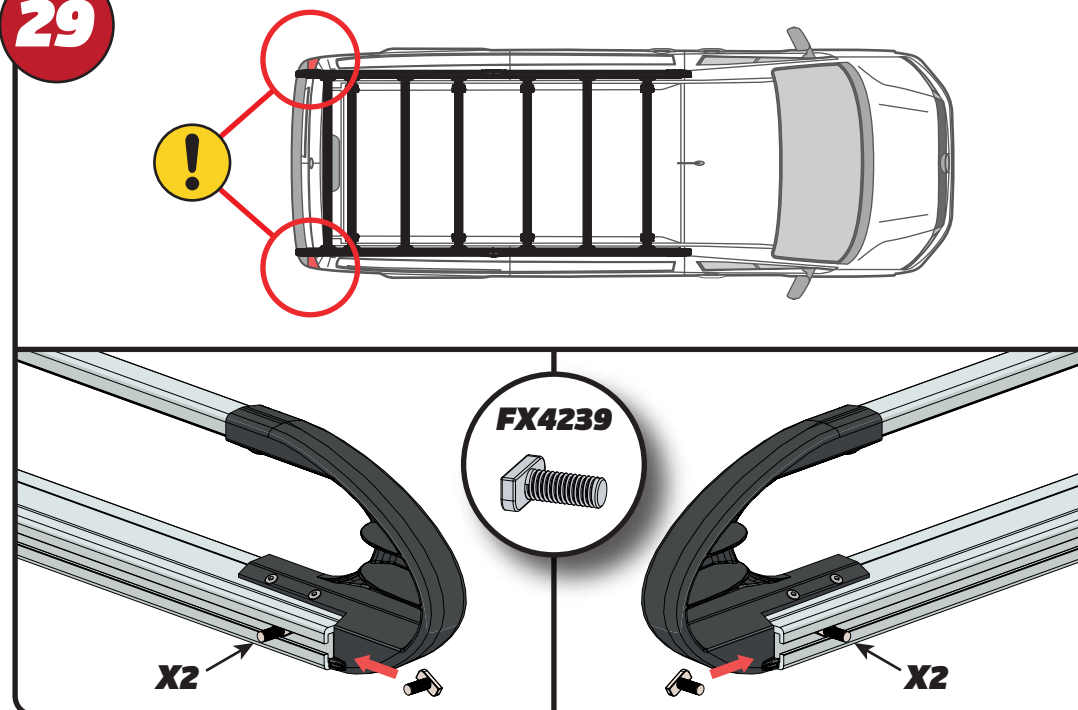
**26**

XXX =  
PAGE 2 OF 15

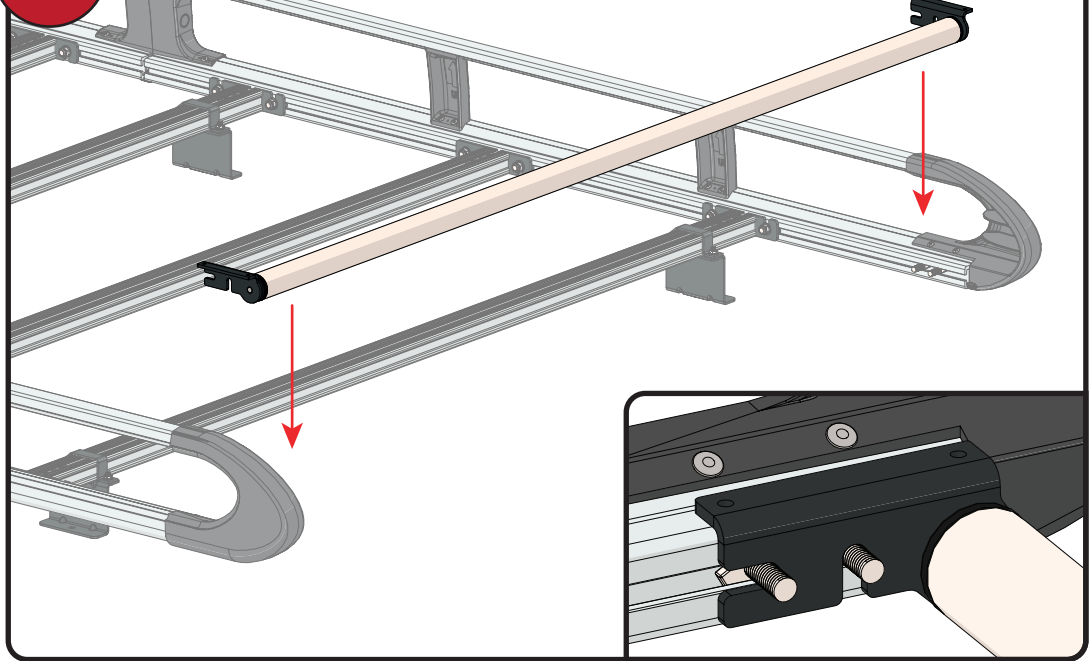
**27**

EN - TIGHTEN ALL OF THE CROSS BARS  
 DE - ALLE QUERSTANGEN FESTZIEHEN  
 FR - SERREZ TOUTES LES BARRES TRANSVERSALES  
 NL - DRAAI ALLE DWARSBALK VAN HET DAK AAN  
 ES - APRIETE TODAS LAS BARRAS TRANSVERSALES  
 IT - STRINGERE TUTTE LE BARRE TRASVERSALI

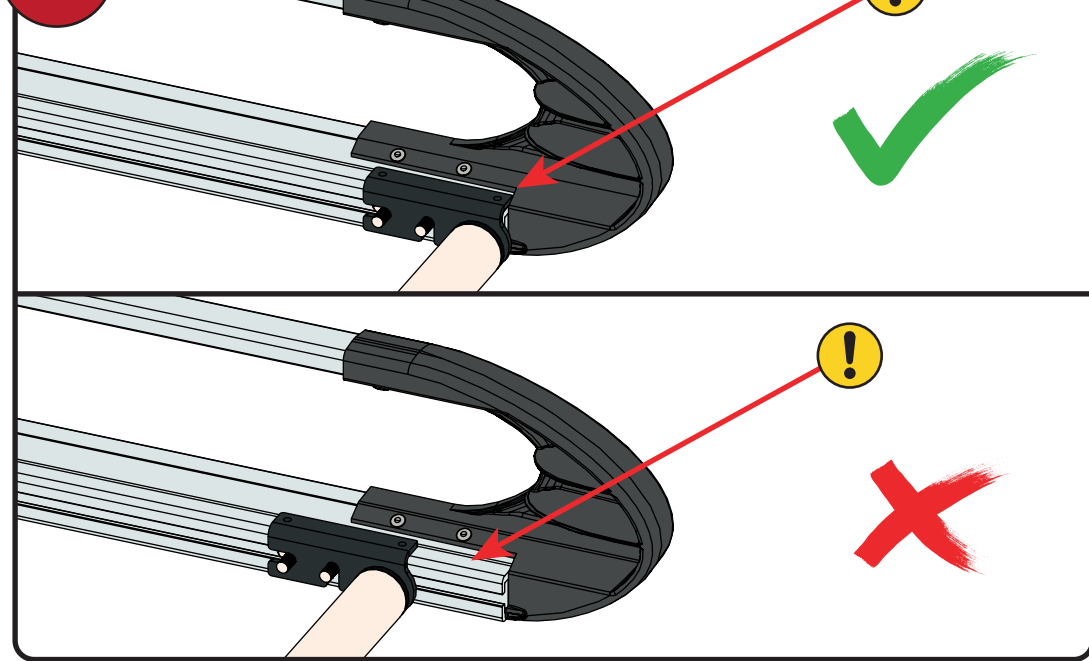
SV - SKRU UPP ALLA KORSSTANGAR  
 DA - SKRU ALLE TAGBØJLER OP  
 NO - SKRU OPP ALLE TVERRSTENGER  
 PL - DOKRĘCIĆ WSZYSTKIE POPRZECZKI  
 CS - VŠECHNY PŘÍČNÉ TYČE SEŠROUJTE

**28****29**

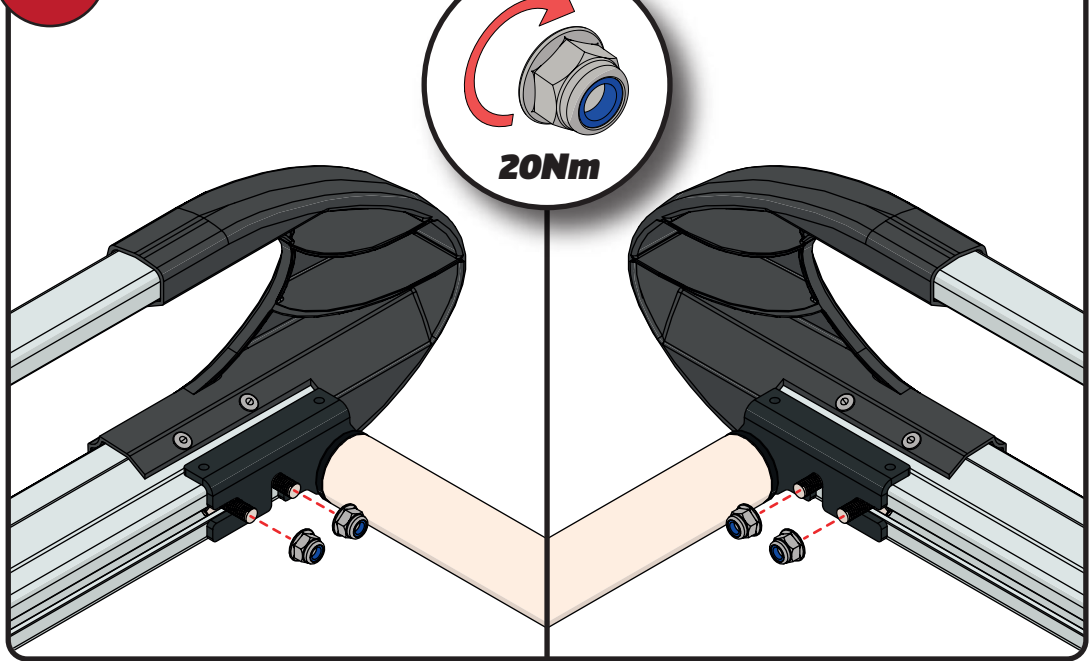
30



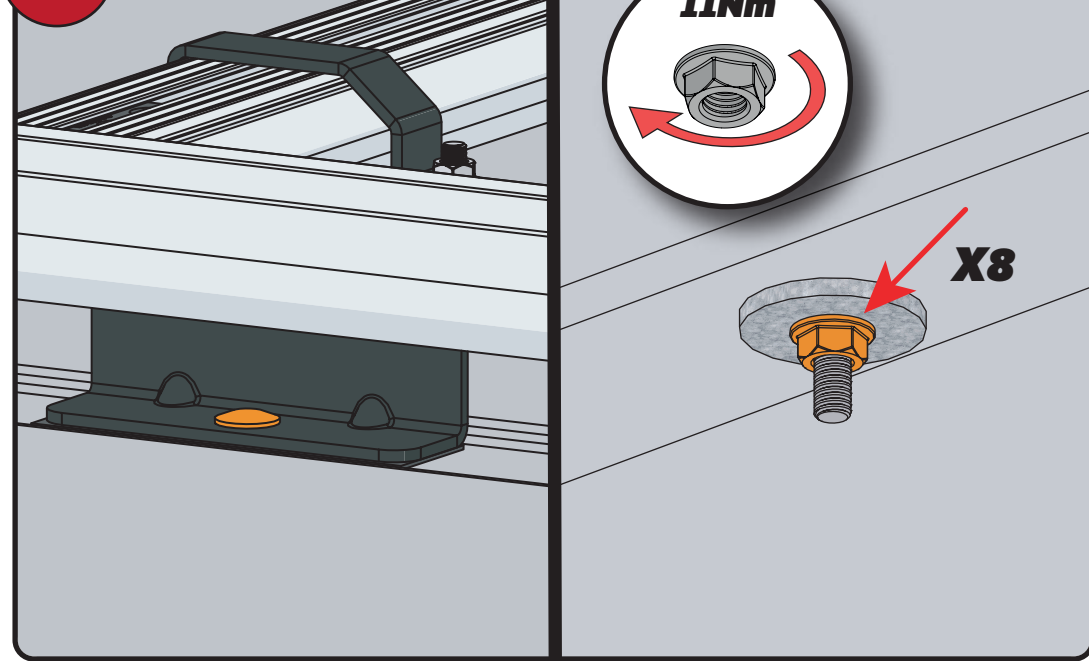
31



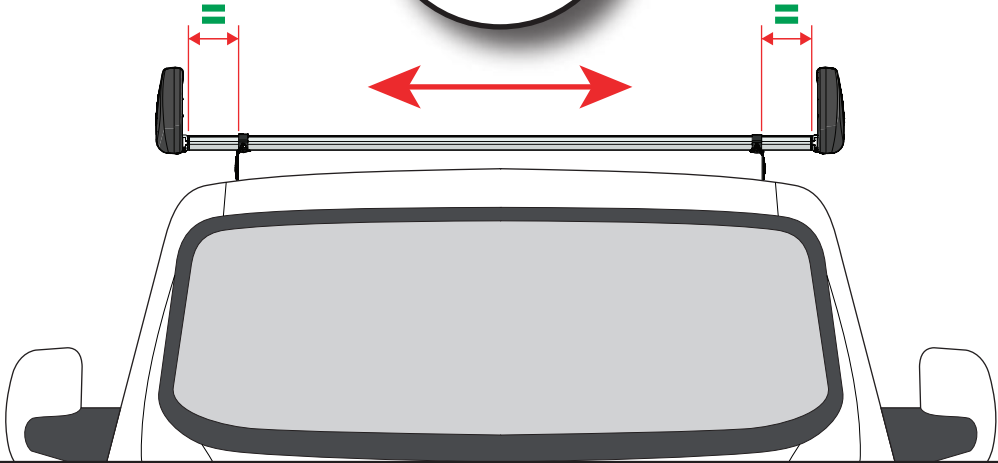
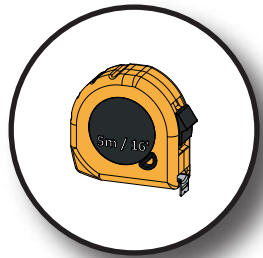
32



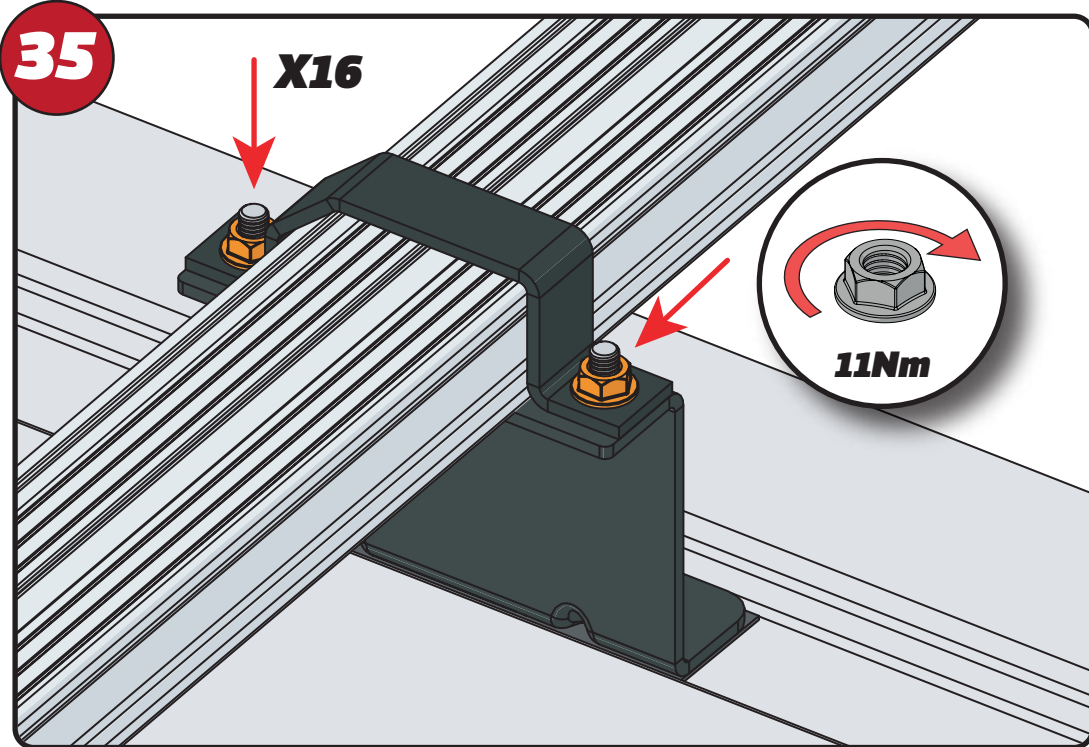
33



**34**



**35**



**X16**

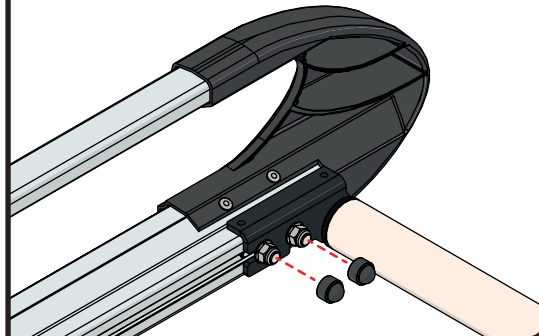
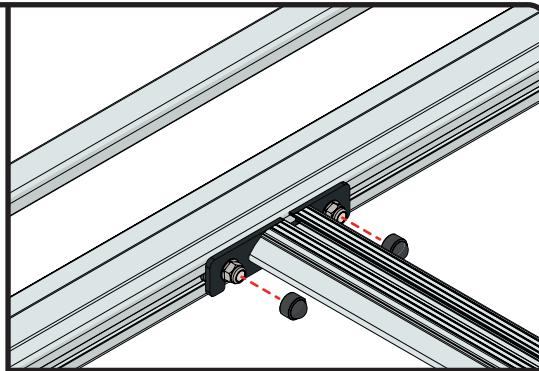
**11Nm**

**36**

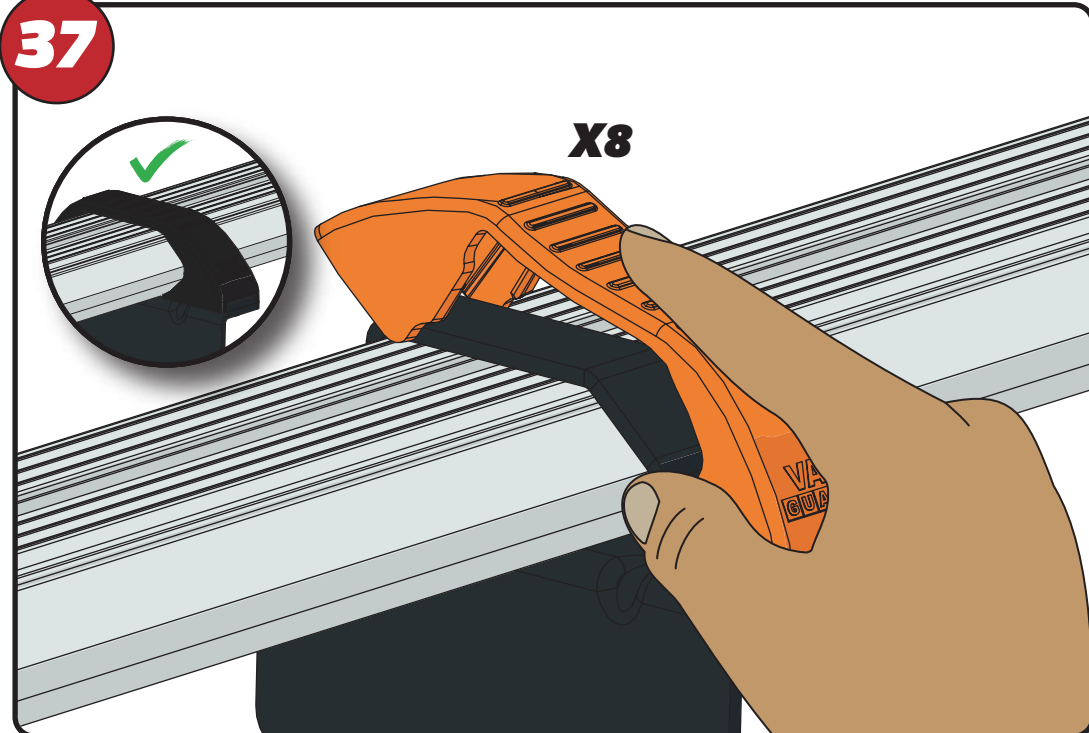


**FX4241**

**X32**

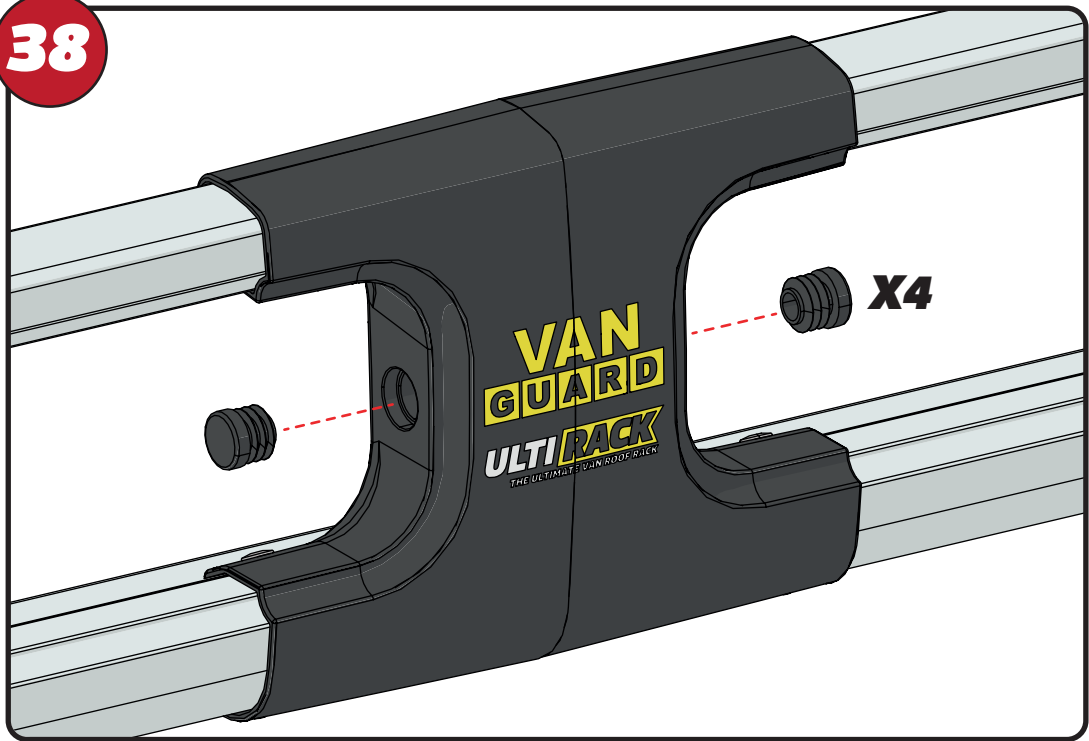


**37**



**X8**

38



39

